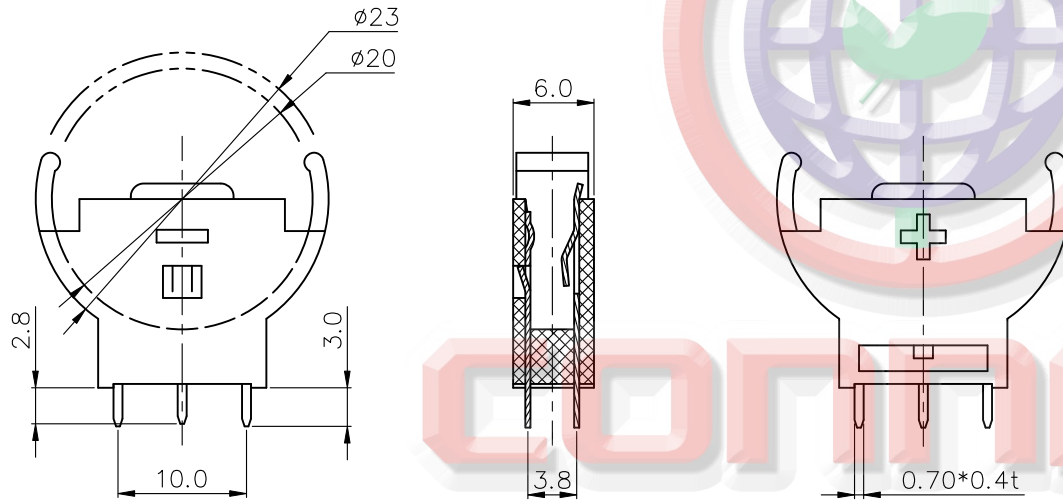


REV.	DESCRIPTION	DRAWN	CHECKED	APPROVED
A	NEW RELEASE	YCH 08/07/12'	~	LJC 08/07/12'
B	DRAWING UPDATE	JLZ 01/20/16'	HZW 01/20/16'	LJC 01/20/16'



NOTE:

1. Materials:

1.1 Base: Thermoplastic, UL94 V-0, Color of black.
Temp. Range: -40°C to $+105^{\circ}\text{C}$.

1.2 Positive & Negative Contacts: Copper Alloy.

2. Specification:

2.1 Dielectric Withstanding Voltage: AC 500V AC.

2.2 Insulation Resistance: 1000M Ω min.

2.3 Contact Resistance: 100m Ω Max.

3. Part Number Code:

DS1092-01 - X X X

Housing material:

P: PBT

Contact plating:

6: Tin

Housing color:

B: Black

Tel: 86-574-63508787

Fax: 86-574-63510817

E-mail: sale@connfly.com

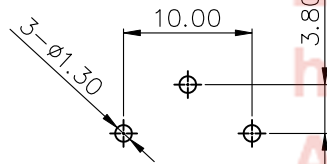
http://www.connfly.com

Add: East Industry Zone KuangYan

Town Cixi Ningbo China

P.C: 315333

Recommend PCB Layout
Tolerance = ± 0.05



GENERAL TOLERANCE		ANGLE TOLERANCE		PROJECTION	TITLE	2032 Lithium Coin Cell Battery Holders Upright insert type	
X.	± 0.60	X.	$\pm 5^{\circ}$				
.X	± 0.38	.X	$\pm 3^{\circ}$		UNITS	mm	
.XX	± 0.25	.XX	$\pm 2^{\circ}$		SHEET SIZE	A4	SERIES DS1092-01 Series
DRAWING TYPE		CUSTOMER		晨翔电子有限公司 CONNFLY CONNFLY ELECTRONIC CO. LTD			
SCALE		1:1					
DRAWING NO.		C-DS1092-01-XXX-B					